

November 23, 2020

Mr. Bruce Flower, Planning Board Chairman
Town of Wappinger Planning Board
c/o Bea Ogunti, Planning & Zoning Board of Appeals Secretary
20 Middlebush Road
Wappingers Falls, New York 12590

Re: Amended Site Plan Plimpton & Hills
(formerly Certified Used Car Outlet)
1429 Route 9, Wappingers Falls
Tax Grid No.: 6157-02-607815

Dear Chairman Flower and Planning Board Members:

Please find enclosed twelve (12) copies of the amended site plan, grading plan, demolition plan, vehicle circulation and landscaping plan, and site details plan. In addition, the above information has been emailed in PDF format to the planning board secretary, Bea Ogunti.

The following information is provided as a summary of the revisions to the plans incorporated in this submission and as a detailed response to comments received by the Planning Board and its consultants.

1. Two additional spruces have been provided in the landscape island opposite the overhead doors and the spacing has been increased as discussed during the November 2nd meeting with the Town planning and engineering consultants. (refer to Plimpton & Hills sheet C4).
2. The applicant agrees to replace the pole mounted light fixtures to remain with LED fixtures limited to a color temperature in the range of 2700K to 3000K. Cut sheets for the proposed LED fixtures have been provided with this submission, which demonstrate the B.U.G ratings and that dimming controls can be provided. A photometric plan for the proposed lighting will be provided to demonstrate compliance with Town requirements. We request that providing this photometric plan be made a condition of approval.
3. Lot labeling has been revised to be consistent with easements and agreements that had been previously prepared for execution upon site plan approval. The revisions are outlined below:
 - Lot 1 (the Poughkeepsie Nissan dealership) has been relabeled as “Lot 2 (Parcel 2)”.
 - Lot 2 (subject of Plimpton-Hill Site Plan application) has been relabeled as “Lot 1 (Parcel 1)”.

Your attention to this matter is appreciated. Please do not hesitate to contact our office if we may be of any assistance.

Sincerely,

A handwritten signature in black ink, appearing to read "Lawrence J. Paggi". The signature is written in a cursive, flowing style with a large initial "L".

Lawrence J. Paggi, PE
President

Att.



Consistent with LEED® goals & Green Globes™ criteria for light pollution reduction

Autobahn Series ATB0

Roadway Lighting

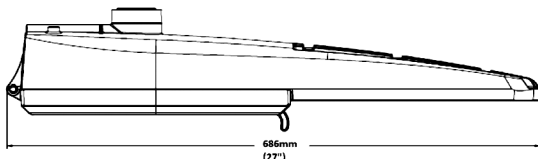
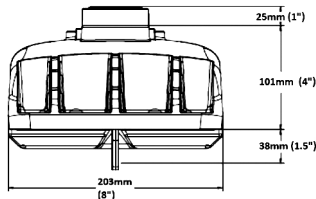
PRODUCT OVERVIEW



Applications:

- Roadways
- Off ramps
- Residential streets
- Parking lots

DIMENSIONS



Effective Projected Area (EPA): The EPA for the ATB0 is 0.76 sq. ft.
Approx. Wt. = 14 lbs.

STANDARDS

DesignLights Consortium® (DLC) qualified product. Not all versions of this product may be DLC qualified. Please check the DLC Qualified Products List at www.designlights.org/QPL to confirm which versions are qualified.

Color temperatures of $\leq 3000\text{K}$ must be specified for International Dark-Sky Association certification.

Rated for -40°C to 40°C ambient

CSA Certified to U.S. and Canadian standards

Complies with ANSI: C136.2, C136.10, C136.14, C136.31, C136.15, C136.37

Features:

OPTICAL

Same Light: Performance is comparable to 70-250W HPS roadway luminaires.

White Light: Correlated color temperature - 4000K, 70 CRI minimum, 3000K, 70 CRI minimum or optional 5000K, 70 CRI minimum.

Unique IP66 rated LED light engines provided 0% uplight and restrict backlight to within sidewalk depth, providing optimal application coverage and optimal pole spacing. Available in Type II, III, IV, and V roadway distributions.

ELECTRICAL

Expected Life: LED light engines are rated $>100,000$ hours at 25°C , L70. Electronic driver has an expected life of 100,000 hours at a 25°C ambient.

Lower Energy: Saves an expected of 40-60% over comparable HID luminaires.

Robust Surge Protection: Three different surge protection options provide a minimum of ANSI C136.2 10kV/5kA protection. 20kV/10kA protection is also available.

MECHANICAL

Includes standard AEL lineman-friendly features such as tool-less entry, 3 station terminal block and quick disconnects. Bubble level located inside the electrical compartment for easily leveling at installation.

Rugged die-cast aluminum housing and door are polyester powder-coated for durability and corrosion resistance. Rigorous five-stage pre-treating and painting process yields a finish that achieves a scribe creepage rating of 7 (per ASTM D1654) after over 5000 hours exposure to salt fog chamber (operated per ASTM B117).

Mast arm mount is adjustable for arms from 1-1/4" to 2" (1-5/8" to 2-3/8" O.D.) diameter. Provides a 3G vibration rating per ANSI C136.31

Wildlife shield is cast into the housing (not a separate piece).

CONTROLS

NEMA 3 pin photocontrol receptacle is standard, with the Acuity designed ANSI standard 7 pin receptacle optionally available.

Premium solid state locking style photocontrol - PCSS (10 year rated life) Extreme long life solid state locking style photocontrol - PCLL (20 year rated life).

Multi-level dimming available to provide scheduled dimming as specified by the customer.

Optional onboard Adjustable Output module allows the light output and input wattage to be modified to meet site specific requirements, and also can allow a single fixture to be flexibly applied in many different applications.

Note: Specifications subject to change without notice. Actual performance may differ as a result of end-user environment and application.

Autobahn Series ATB0

Roadway Lighting

ORDERING INFORMATION

Example: ATB0 30LEDE10 MVOLT R2

Series	Performance Packages	Voltage	Optics
ATB0 Autobahn LED Roadway	10BLEDE70 10B Chips, 700mA Driver 10BLEDE10 10B Chips, 1050mA Driver 10BLEDE15 10B Chips, 1500mA Driver 20BLEDE53 20B Chips, 525mA Driver 20BLEDE70 20B Chips, 700mA Driver 20BLEDE10 20B Chips, 1050mA Driver 20BLEDE13 20B Chips, 1300mA Driver 20BLEDE15 20B Chips, 1500mA Driver 30BLEDE70 30B Chips, 700mA Driver 30BLEDE85 30B Chips, 850mA Driver 30BLEDE10 30B Chips, 1050mA Driver 30BLEDE13 30B Chips, 1300mA Driver 30BLEDE15 30B Chips, 1500mA Driver	MVOLT Multi-volt, 120-277V 347 347V 480 480V	R2 Roadway Type II R3 Roadway Type III R4 Roadway Type IV R5 Roadway Type V

Options			
<u>Color Temperature (CCT)</u> (Blank) 4000K CCT, 70 CRI Min. 3K 3000K CCT, 70 CRI Min. 5K 5000K CCT, 70 CRI Min.	UMS-XX 8" Horizontal Arm for Square Pole, Painted to match Fixture UMR-GALV 8" Horizontal Arm for Round Pole, Galvanized UMS-GALV 8" Horizontal Arm for Square Pole, Galvanized	<u>Accessories (field installed):</u> ATB0 LTS20 Light Trespass Shield for ATB0 LEM 20 ATB0 LTS30 Light Trespass Shield for ATB0 LEM 30	
<u>Paint</u> (Blank) Gray (Standard) BK Black BZ Bronze DDB Dark Bronze GI Graphite WH White	<u>Controls</u> (Blank) 3 Pin NEMA Photocontrol Receptacle (Standard) P7² 7 Pin Photocontrol Receptacle (Dimmable Driver Included) NR No Photocontrol Receptacle AO³ Field Adjustable Output DM 0V-10V Dimmable Driver (Controls by others) ML^{4,5} Multi-Level Dimming PCSS¹ Solid State Lighting Photocontrol (120-277V) PCLL Solid State Long Life Photocontrol SH Shorting Cap	Notes 1 Not available in 347 or 480V. 2 Not available with DM, ML or NR. 3 Not available with DM or ML options. Not available with 10BLED packages. 4 Not available with AO, DM or P7 options. 5 Dimming Schedule and light level information required from the customer in order to configure product. Contact Infrastructure Technical Support to proceed.	
<u>Surge Protection</u> (Blank) Standard 10kV/5kA SPD 20 20kV/10KA SPD MP¹ MOV Pack IL¹ SPD with Indicator Light	<u>Packaging</u> (Blank) Single Unit (Standard) JP Job Pack (42/Pallet)		
<u>Terminal Block</u> (Blank) Terminal Block (Standard) T2 Wired to L1 & L2 Positions			
<u>Misc.</u> BL External Bubble Level HS House-Side Shield NL Nema Label XL Not CSA Certified UMR-XX 8" Horizontal Arm for Round Pole, Painted to match Fixture			



AEL Headquarters, 3825 Columbus Road, Granville, OH 43023
 www.americanelectricalighting.com
 © 2014-2019 Acuity Brands Lighting, Inc. All Rights Reserved. ATB0 02/21/19

Warranty Five-year limited warranty. Complete warranty terms located at: www.acuitybrands.com/resources/terms-and-conditions
 Actual performance may differ as a result of end-user environment and application. All values are design or typical values, measured under laboratory conditions at 25 °C. Specifications subject to change without notice.

Please contact your sales representative for the latest product information.

Autobahn Series ATB0

Roadway Lighting

PERFORMANCE PACKAGE

Performance Package	Drive Current (mA)	Input Watts	Optic	3K (3000K CCT, 70 CRI Min.)					4K/5K (4000K/5000K CCT, 70 CRI Min.)					LLD @ 25°C		
				Lumens	LPW	B	U	G	Lumens	LPW	B	U	G	25k Hours	75k Hours	100k Hours
10B	700	25	R2	2,670	107	1	0	1	2,994	120	1	0	1	0.98	0.97	0.96
	1050	37		4,006	108	1	0	2	4,293	116	1	0	2	0.97	0.95	0.92
	1500	54		5,364	99	1	0	2	5,688	105	1	0	2	0.93	0.90	0.88
	700	25	R3	2,702	108	1	0	1	3,009	120	1	0	1	0.98	0.97	0.96
	1050	37		4,069	110	1	0	1	4,313	117	1	0	1	0.97	0.95	0.92
	1500	54		5,409	100	1	0	1	5,742	106	1	0	1	0.93	0.90	0.88
	700	25	R4	2,686	107	1	0	1	2,992	120	1	0	1	0.98	0.97	0.96
	1050	37		3,934	106	1	0	1	4,232	114	1	0	1	0.97	0.95	0.92
	1500	54		5,383	100	1	0	2	5,653	105	1	0	2	0.93	0.90	0.88
	700	25	R5	2,806	112	2	0	1	3,065	123	2	0	1	0.98	0.97	0.96
	1050	37		4,125	111	3	0	1	4,422	120	3	0	1	0.97	0.95	0.92
	1500	54		5,551	103	3	0	1	5,844	108	3	0	1	0.93	0.90	0.88
20B	525	36	R2	4,328	120	1	0	2	4,638	129	1	0	2	0.98	0.97	0.96
	700	48		5,652	118	1	0	2	5,956	124	1	0	2	0.98	0.96	0.95
	1050	71		7,948	112	2	0	2	8,506	120	2	0	2	0.97	0.95	0.92
	1300	87		9,157	105	2	0	3	9,922	114	2	0	3	0.93	0.90	0.88
	1500	99		10,288	104	2	0	3	11,038	111	2	0	3	0.93	0.90	0.88
	525	36		R3	4,436	123	1	0	1	4,704	131	1	0	1	0.98	0.97
	700	48	5,705		119	1	0	1	6,114	127	1	0	2	0.98	0.96	0.95
	1050	71	8,080		114	2	0	2	8,606	121	2	0	2	0.97	0.95	0.92
	1300	87	9,442		109	2	0	2	10,065	116	2	0	2	0.93	0.90	0.88
	1500	99	10,503		106	2	0	2	11,181	113	2	0	2	0.93	0.90	0.88
	525	36	R4		4,459	124	1	0	2	4,676	130	1	0	2	0.98	0.97
	700	48		5,766	120	1	0	2	6,022	125	1	0	2	0.98	0.96	0.95
	1050	71		8,101	114	2	0	2	8,569	121	2	0	2	0.97	0.95	0.92
	1300	87		9,321	107	2	0	2	10,053	116	2	0	2	0.93	0.90	0.88
	1500	99		10,426	105	2	0	2	11,160	113	2	0	3	0.93	0.90	0.88
	525	36		R5	4,540	126	3	0	1	4,869	135	3	0	1	0.98	0.97
	700	48	5,832		122	3	0	1	6,287	131	3	0	1	0.98	0.96	0.95
	1050	71	8,241		116	3	0	2	8,880	125	3	0	2	0.97	0.95	0.92
	1300	87	9,597		110	3	0	2	10,397	120	4	0	2	0.93	0.90	0.88
	1500	99	10,647		108	4	0	2	11,593	117	4	0	2	0.93	0.90	0.88
	700	70	R2		8,406	120	2	0	2	9,174	131	2	0	3	0.98	0.97
	850	83		9,897	119	2	0	3	10,457	126	2	0	3	0.97	0.95	0.92
	1050	105		11,806	112	2	0	3	12,414	118	2	0	3	0.97	0.95	0.92
	1300	126		13,675	109	3	0	3	14,964	119	3	0	3	0.93	0.90	0.88
1500	145	15,090		104	3	0	3	16,251	112	3	0	3	0.93	0.90	0.88	
700	70	R3		8,539	122	2	0	2	8,893	127	2	0	2	0.98	0.97	0.96
850	83		10,056	121	2	0	2	10,825	130	2	0	2	0.97	0.95	0.92	
1050	105		11,936	114	2	0	2	12,748	121	2	0	2	0.97	0.95	0.92	
1300	126		13,893	110	3	0	3	14,850	118	3	0	3	0.93	0.90	0.88	
1500	145		15,381	106	3	0	3	16,193	112	3	0	3	0.93	0.90	0.88	
700	70		R4	8,335	119	2	0	2	8,971	128	2	0	2	0.98	0.97	0.96
850	83	9,877		119	2	0	2	10,589	128	2	0	2	0.97	0.95	0.92	
1050	105	11,943		114	2	0	3	12,782	122	2	0	3	0.97	0.95	0.92	
1300	126	13,681		109	2	0	3	14,889	118	3	0	3	0.93	0.90	0.88	
1500	145	14,952		103	3	0	3	16,463	114	3	0	3	0.93	0.90	0.88	
700	70	R5		8,893	127	3	0	2	9,329	133	3	0	2	0.98	0.97	0.96
850	83		10,469	126	4	0	2	11,209	135	4	0	2	0.97	0.95	0.92	
1050	105		12,382	118	4	0	2	13,296	127	4	0	2	0.97	0.95	0.92	
1300	126		14,453	115	4	0	2	15,254	121	4	0	2	0.93	0.90	0.88	
1500	145		15,853	109	4	0	2	16,871	116	4	0	2	0.93	0.90	0.88	

Note: Individual fixture performance may vary.

ATB0 LLD Multiplier	15°C	20°C	25°C	30°C	35°C	40°C
	1.02	1.01	1	0.98	0.97	0.95

To calculate the LLD for a temperature other than 25°C, multiply the LLD @ 25°C (shown in the performance package table) by the LLD multiplier for the selected temperature.



AEL Headquarters, 3825 Columbus Road, Granville, OH 43023
www.americanelectricalighting.com
© 2014-2019 Acuity Brands Lighting, Inc. All Rights Reserved. ATB0 02/21/19

Warranty Five-year limited warranty. Complete warranty terms located at: www.acuitybrands.com/resources/terms-and-conditions
Actual performance may differ as a result of end-user environment and application. All values are design or typical values, measured under laboratory conditions at 25°C. Specifications subject to change without notice.

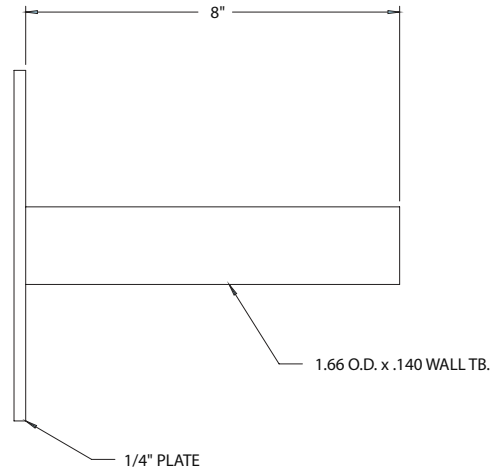
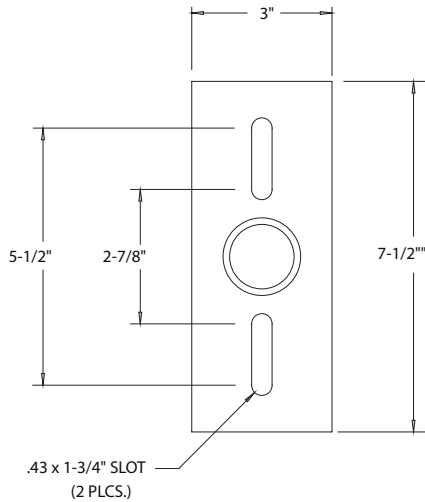
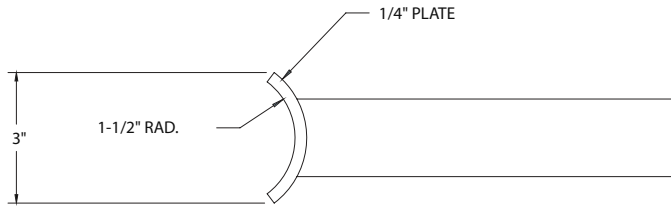
Please contact your sales representative for the latest product information.

Autobahn Series ATB0

Roadway Lighting

UMR POLE ADAPTOR

RECOMMENDED FOR USE WITH POLES OF 4" DIAMETER OR SMALLER



UMS POLE ADAPTOR



AEL Headquarters, 3825 Columbus Road, Granville, OH 43023
www.americanelectriclighting.com

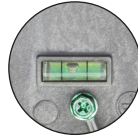
© 2014-2019 Acuity Brands Lighting, Inc. All Rights Reserved. ATB0 02/21/19

Warranty Five-year limited warranty. Complete warranty terms located at:
www.acuitybrands.com/resources/terms-and-conditions

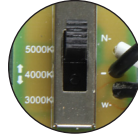
Actual performance may differ as a result of end-user environment and application. All values are design or typical values, measured under laboratory conditions at 25 °C. Specifications subject to change without notice.

Please contact your sales representative for the latest product information.

WALLMAX™ LARGE CUTOFF WPCL SERIES



Built in level helps ensure straight mounting



CCT Selectable switch
Choose between 3K, 4K or 5K

PRODUCT DESCRIPTION:

WallMax Cutoff Wall Packs are a full cutoff architectural wall mounted fixture ideal for commercial offices, schools and other public administrative buildings. It offers a wide range of outputs and options including CCT selectability so the customer can choose between 3000K, 4000K and 5000K color temperatures.



FEATURES:

- 120V-277V, 347V-480V
- 0-10V dimming
- Color Selectable between 3000K, 4000K or 5000K
- CRI: ≥80

CONTROL OPTIONS:

- Photocontrol (120V-277V)
- Dimmable motion sensor with photocontrol (requires FSIR-100 remote control to program)

INSTALLATION:

- 1/2" threaded conduit hole in the center of the back housing
- 5 1/2" threaded conduit holes, one on each side of the back housing and 2 on the top of the housing
- Built in level helps ensure straight mounting

CONSTRUCTION:

Die Cast Aluminum housing with polycarbonate LED lens

WARRANTY:

10-year standard warranty with labor allowance* (further details available at www.maxlite.com/warranties)

*Warranty Limitations: Product must be rated for the application per the Product Data Sheet (PDS); operated ≤16 hrs; in ambient of -29°F to 104°F.

*Up to \$25/unit; labor allowances of up to \$500/unit available for purchase – contact MaxLite representative for details.

ORDER STRUCTURE

FAMILY	WATTAGE	VOLTAGE	DISTRIBUTION	CCT	FINISH	OPTIONS ¹
WPCL= WallMax Cutoff	40= 40W 70= 70W 100= 100W	U= 120-277V H= 347-480V	T4= Type IV	CS= CCT Selectable (3K, 4K, 5K)	B= Bronze Contact MaxLite for additional finishes	EM0= Battery Backup, 0°C, 120V or 277V only EM2= Battery Backup, -20°C, 120V or 277V only MS ² = PIR Daylight/Motion Sensor PC= 120-277V Button Photocontrol

NOTES:

¹EM and MS can be selected together

²MS includes PC function, internal for 120-277V, external for 347-480V, requires FSIR-100 remote control to program (at least one per job location)

ACCESSORY

ORDER CODE	MODEL NUMBER	DESCRIPTION	IMAGE
102184	FSIR-100	Remote Control to program Motion Sensor, minimum of 1 per job site.	

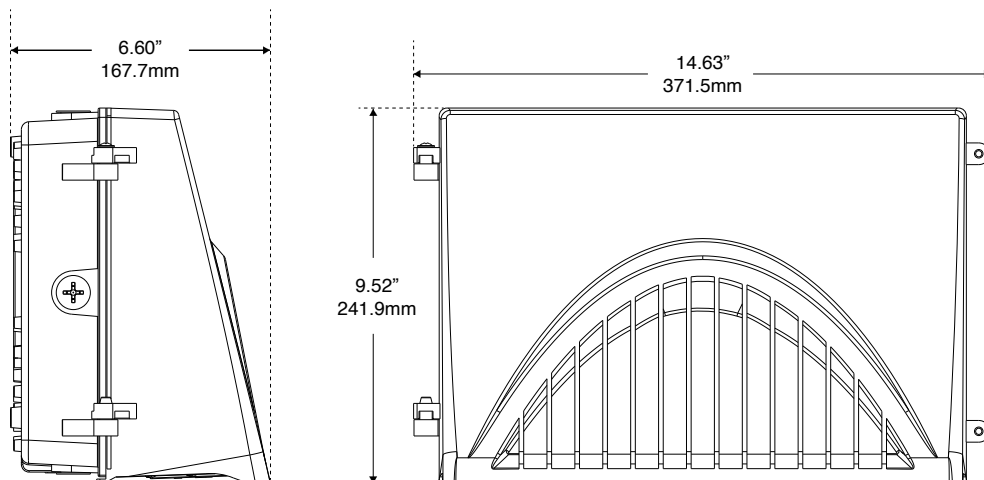
ORDER CODES

ORDER CODE	MODEL NUMBER	DLC ID NUMBER	DLC CATEGORY	WATTAGE	CCT
104033	WPCL40UT4-CSB	PW02WM7F	Outdoor Full-Cutoff Wall-Mounted Area Luminaires	40W	3000K, 4000K, 5000K
104034	WPCL70UT4-CSB	PIIVIZ5D		70W	
104035	WPCL100UT4-CSB	P81AQC8H		100W	

SPECIFICATIONS

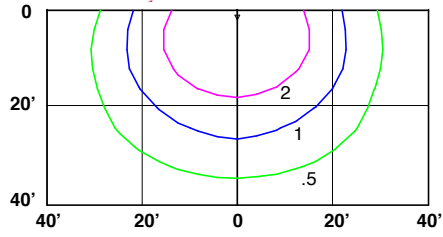
ITEM	SPECIFICATION	DETAILS		
		40W	70W	100W
GENERAL PERFORMANCE	Power Consumption (W)	40W	70W	100W
	Lumens Delivered (lm)	5,225 lm	8,872 lm	12,746 lm
	Efficacy (lm/W)	≤124 lm/W	≤123 lm/W	≤124 lm/W
	CRI	>80		
	Color Temperature (K)	3000K, 4000K, 5000K		
	Distribution	Type IV		
ELECTRICAL	Input Voltage	120-277V standard; 347-480V available		
	Dimming	0-10V, dimming up to 10%		
PHYSICAL	Housing	Die-Cast Polyester Aluminum		
	Mounting	Fits electrical box or mount directly		
	Lens	Polycarbonate		
	Operating Temperature	-40°F-104°F (-40°C-40°C)		
	Humidity	10-90% RH, non-condensing		
CERTIFICATION	Certification	cETL		
	Material Usage	RoHS compliant; no mercury		
	Environment	Outdoor wet location		
	Warranty	10-year standard warranty		

DIMENSIONS

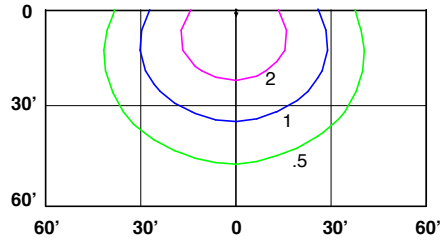


PHOTOMETRIC LAYOUTS*

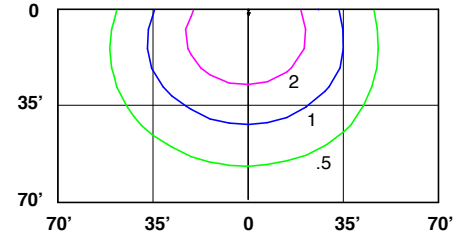
*Units in FC



40W
20' Mounting Height



70W
30' Mounting Height



100W
35' Mounting Height