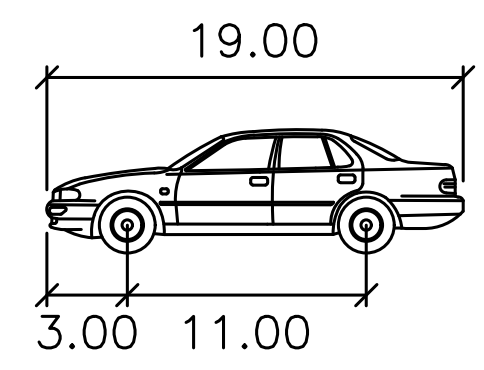
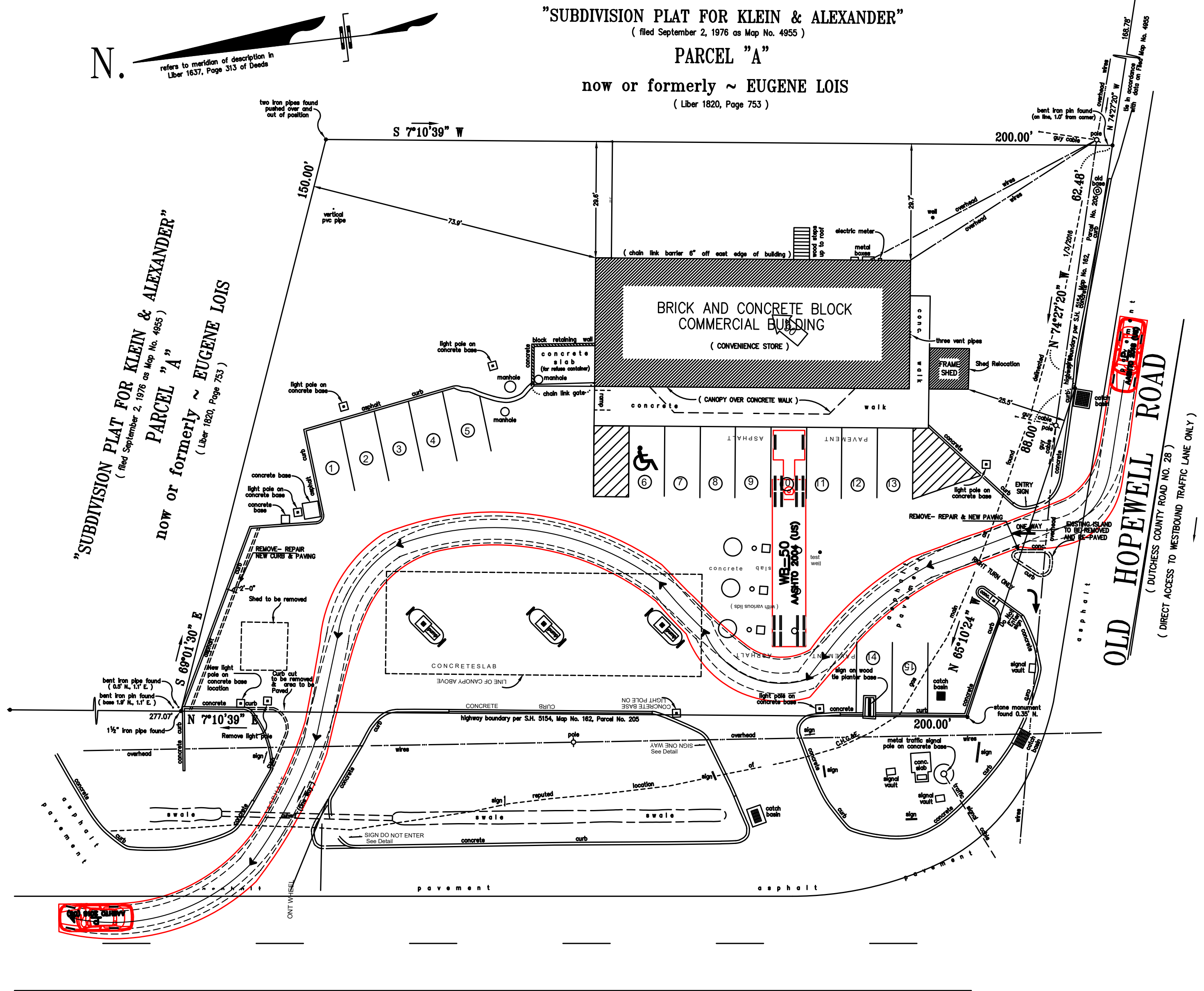


PROJECT:

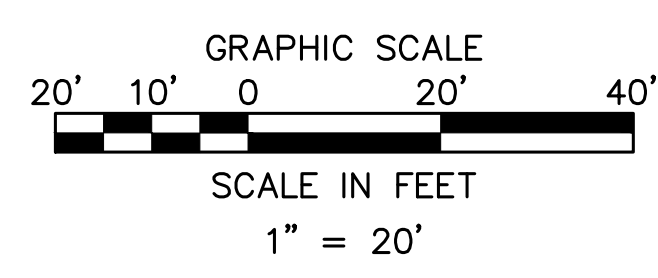
TIME: 2:23 PM

DATE: 3/27/2025



P

	feet
Width	: 7.00
Track	: 6.00
Lock to Lock Time	: 6.0
Steering Angle	: 31.6



KLEIN TRAFFIC CONSULTING, LLC
 This drawing and all information contained herein is proprietary information of KLEIN TRAFFIC CONSULTING, LLC and may not be copied or reproduced, either in whole or in part, by any method, without written permission of KLEIN TRAFFIC CONSULTING, LLC.

Date	Revision	Drawn By	Checked By

1336 ROUTE 9
 WAPPINGERS FALLS, NY 12590
 Town of Poughkeepsie Dutchess County New York

PASSENGER CAR TEMPLATE 1

 156 WALKER ROAD WEST ORANGE, N.J. 07052 PH: 973-885-3464		Job #:	
		Scale: AS SHOWN	
		Date: 3/28/2025	
		Drawn By: B.A.C.	Exhibit: 2
Checked By: L.D.K.			