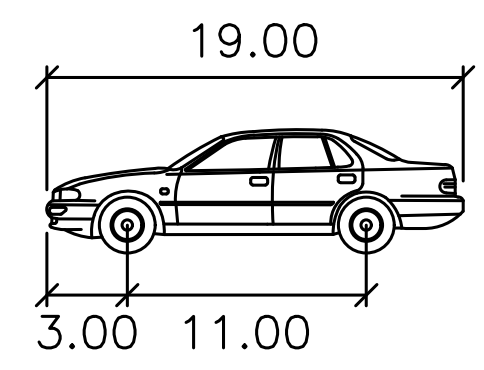
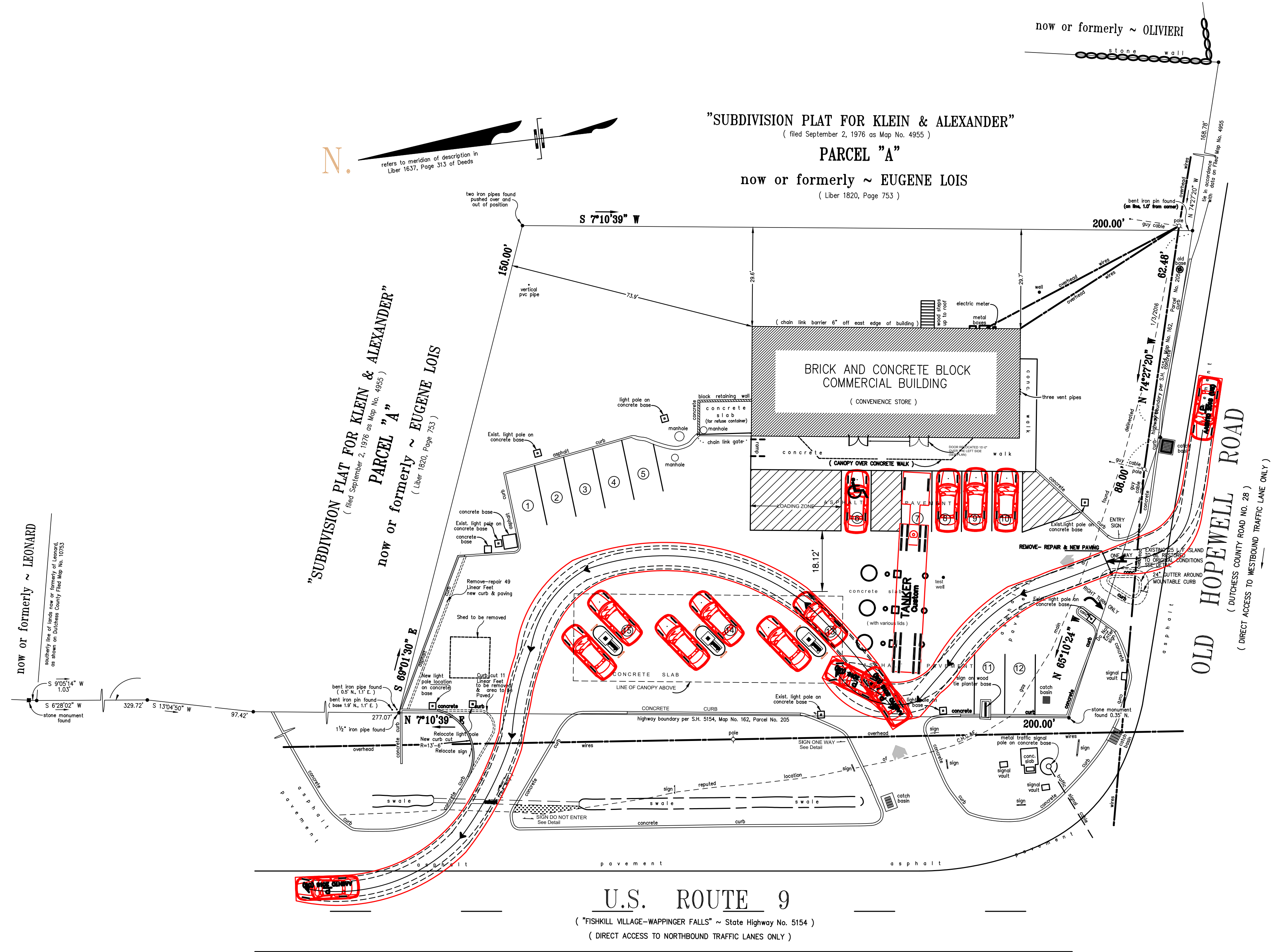


PROJECT:

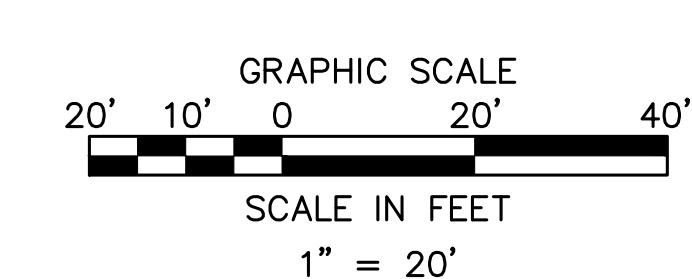
TIME: 6:33 PM

DATE: 5/16/2025



P

	feet
Width	: 7.00
Track	: 6.00
Lock to Lock Time	: 6.0
Steering Angle	: 31.6



KLEIN TRAFFIC CONSULTING, LLC
This drawing and all information contained herein is proprietary information of KLEIN TRAFFIC CONSULTING, LLC and may not be copied or reproduced, either in whole or in part, by any method, without written permission of KLEIN TRAFFIC CONSULTING, LLC.

05/16/25	REVISED PER COMMENTS	B.A.C.	L.D.K.
Date	Revision	Drawn By:	Checked By:

1336 ROUTE 9
WAPPINGERS FALLS, NY 12590
Town of Poughkeepsie Dutchess County New York

PASSENGER CAR TEMPLATE 1

KLEIN TRAFFIC CONSULTING, LLC www.kleintraffic.com 156 WALKER ROAD WEST ORANGE, N.J. 07052 PH: 973-885-3464	Job #:	
	Scale: AS SHOWN	
	Date: 3/28/2025	
	Drawn By: B.A.C.	Exhibit: 2
Checked By: L.D.K.		