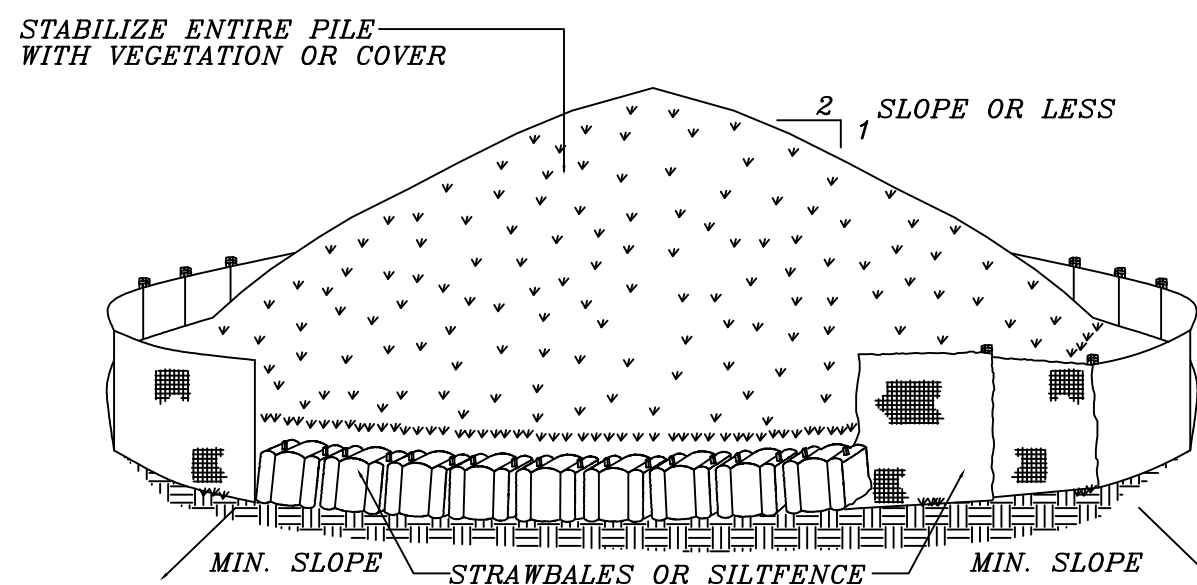


NOTE:
 PIPE SHALL BE LAID AND CONNECTED IN THE BEDDING WHICH SHALL CONSIST OF:
 COMPACTED EXISTING SUBSOIL WHEN LAID ABOVE GROUND WATER, OR 3/4" CRUSHED STONE WHEN LAID BELOW GROUND WATER.
 ALL UNSUITABLE MATERIAL SHALL BE REMOVED FOR AT LEAST 2'-6" BELOW THE PIPE OR TWICE THE PIPE DIAMETER, WHICHEVER IS GREATER AND REPLACED WITH COMPACTED BEDDING MATERIAL

STORM PIPE BEDDING DETAIL

SCALE: N.T.S.

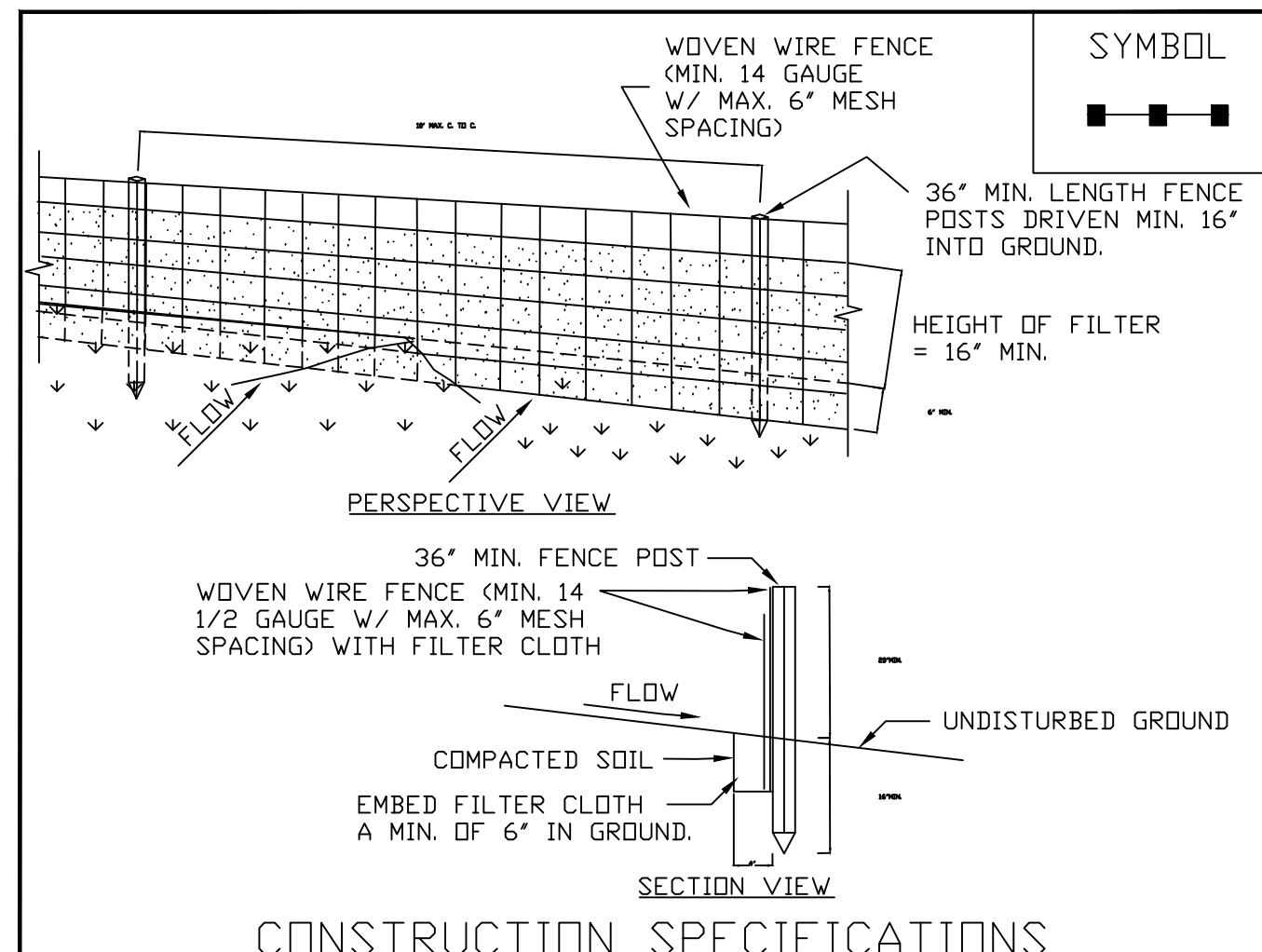


INSTALLATION NOTES

1. AREA CHOSEN FOR STOCKPILING OPERATIONS SHALL BE DRY AND STABLE.
2. MAXIMUM SLOPE OF STOCKPILE SHALL BE 1:2.
3. UPON COMPLETION OF SOIL STOCKPILING, EACH PILE SHALL BE SURROUNDED WITH EITHER SILT FENCING OR STRAWBALES, THEN STABILIZED WITH VEGETATION OR COVERED.
4. SEE SPECIFICATIONS (THIS SHEET) FOR INSTALLATION OF SILTFENCE.

SOIL STOCKPILING DETAILS

SCALE: N.T.S.

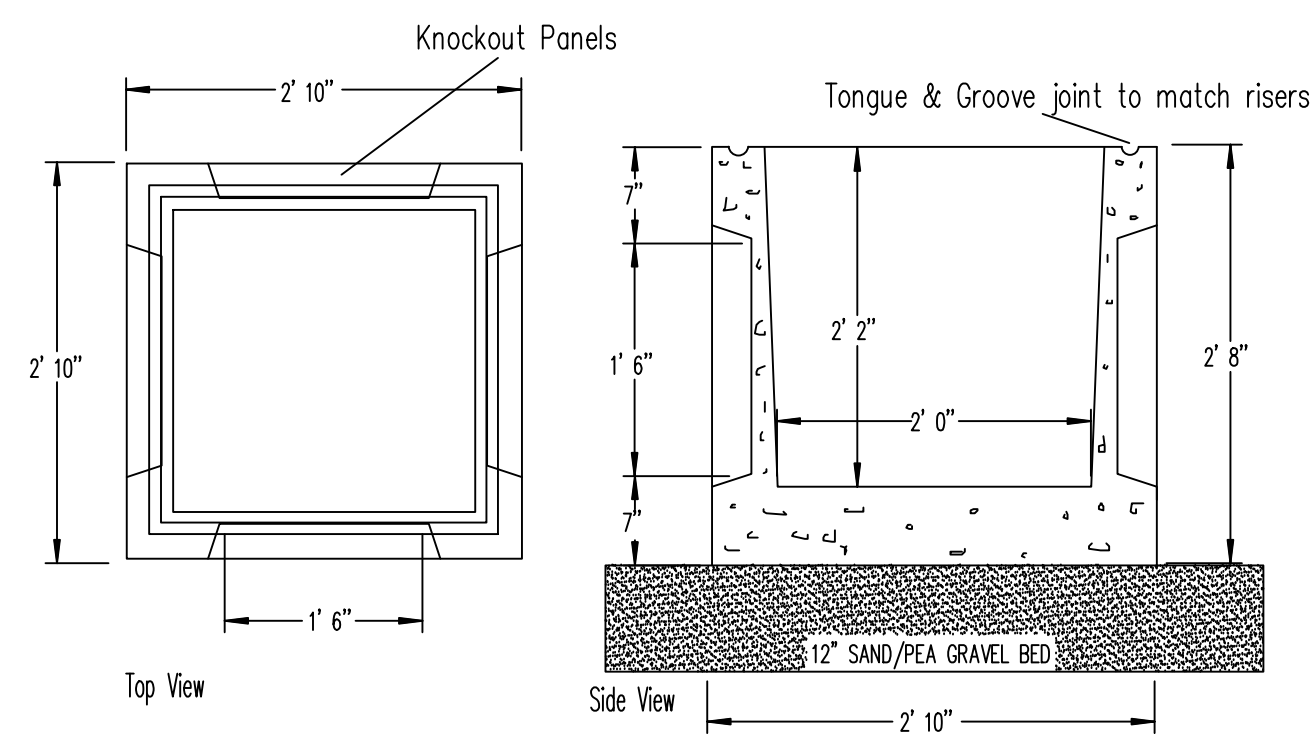


CONSTRUCTION SPECIFICATIONS

1. WOVEN WIRE FENCE TO BE FASTENED SECURELY TO FENCE POSTS WITH WIRE TIES OR STAPLES. POSTS SHALL BE STEEL EITHER 4" OR 6" TYPE OR HARDWOOD.
2. FILTER CLOTH TO BE FASTENED SECURELY TO WOVEN WIRE FENCE WITH TIES SPACED EVERY 24" AT TOP AND MID SECTION. FENCE SHALL BE WOVEN WIRE, 6" MAXIMUM MESH OPENING.
3. WHEN TWO SECTIONS OF FILTER CLOTH ADJOIN EACH OTHER THEY SHALL BE OVERLAPPED BY SIX INCHES AND FOLDED. FILTER CLOTH SHALL BE EITHER FILTER X, MIRAFI 100X, STABILINKA T140N, OR APPROVED EQUIVALENT.
4. PREFABRICATED UNITS SHALL BE GEOFAB, ENVIRFENCE, OR APPROVED EQUIVALENT.
5. MAINTENANCE SHALL BE PERFORMED AS NEEDED AND MATERIAL REMOVED WHEN "BULGES" DEVELOP IN THE SILT FENCE.

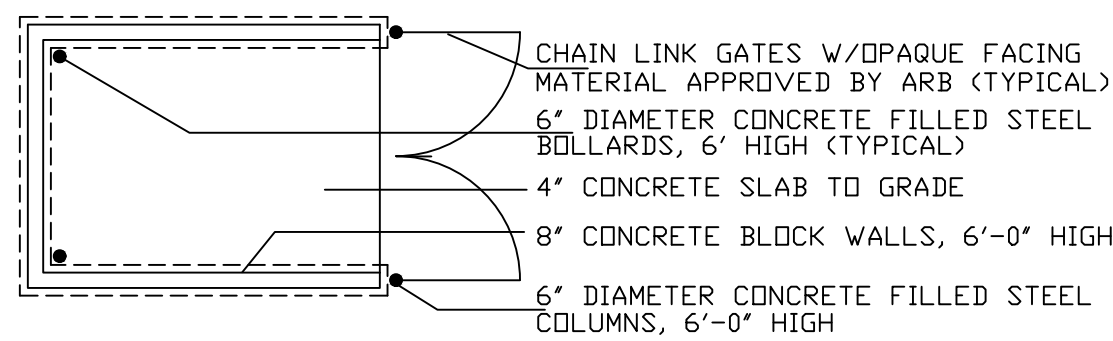
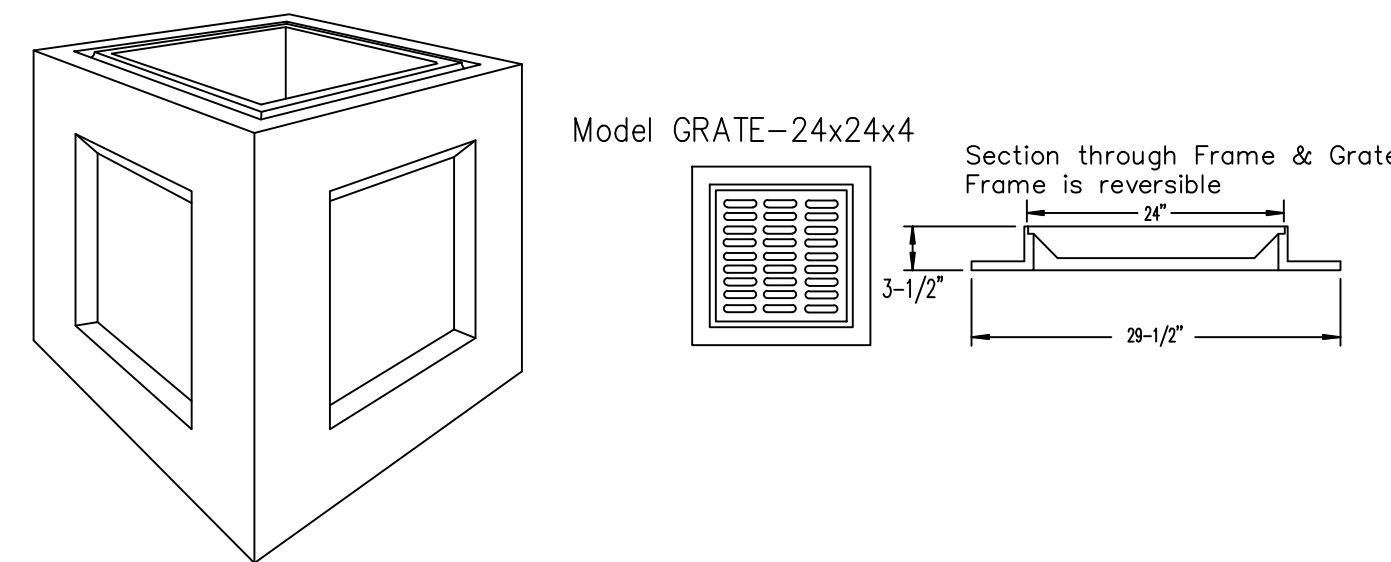
ADAPTED FROM DETAILS PROVIDED BY: USDA - NRCS, NEW YORK STATE DEPARTMENT OF TRANSPORTATION, NEW YORK STATE DEPARTMENT OF ENVIRONMENTAL CONSERVATION, NEW YORK STATE SOIL & WATER CONSERVATION COMMITTEE

SILT FENCE

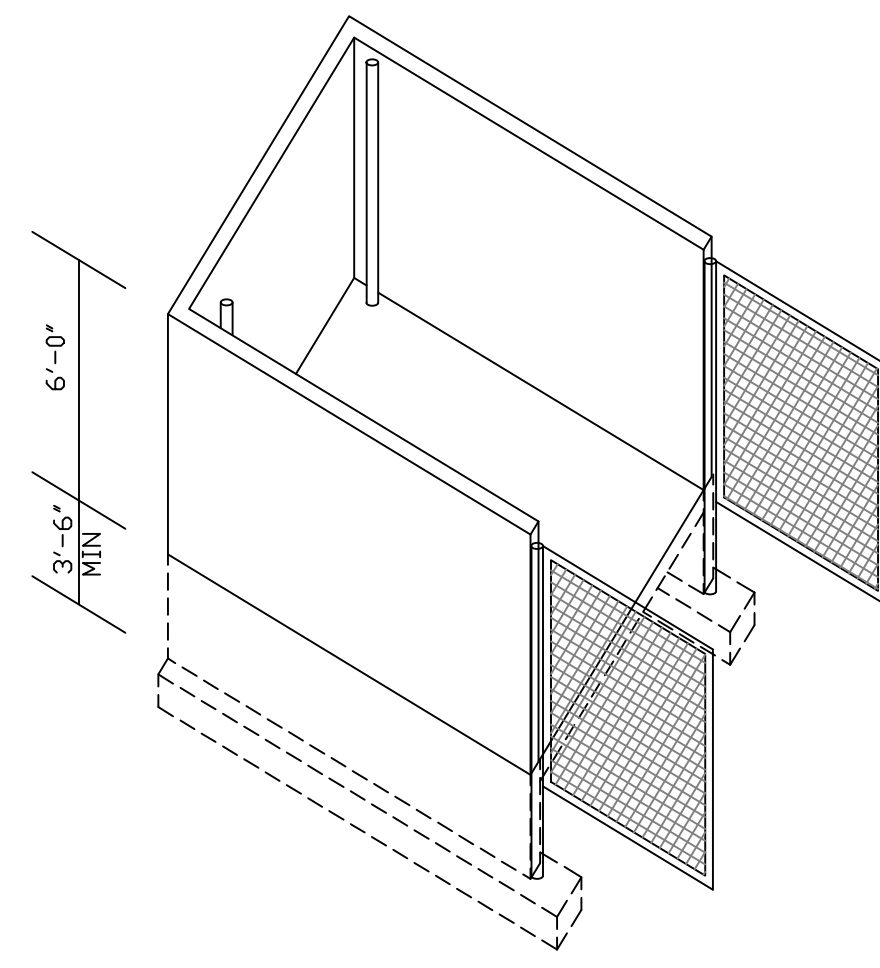


CATCH BASIN/YARD DRAIN DETAIL

SCALE: N.T.S.



PLAN
Not to Scale

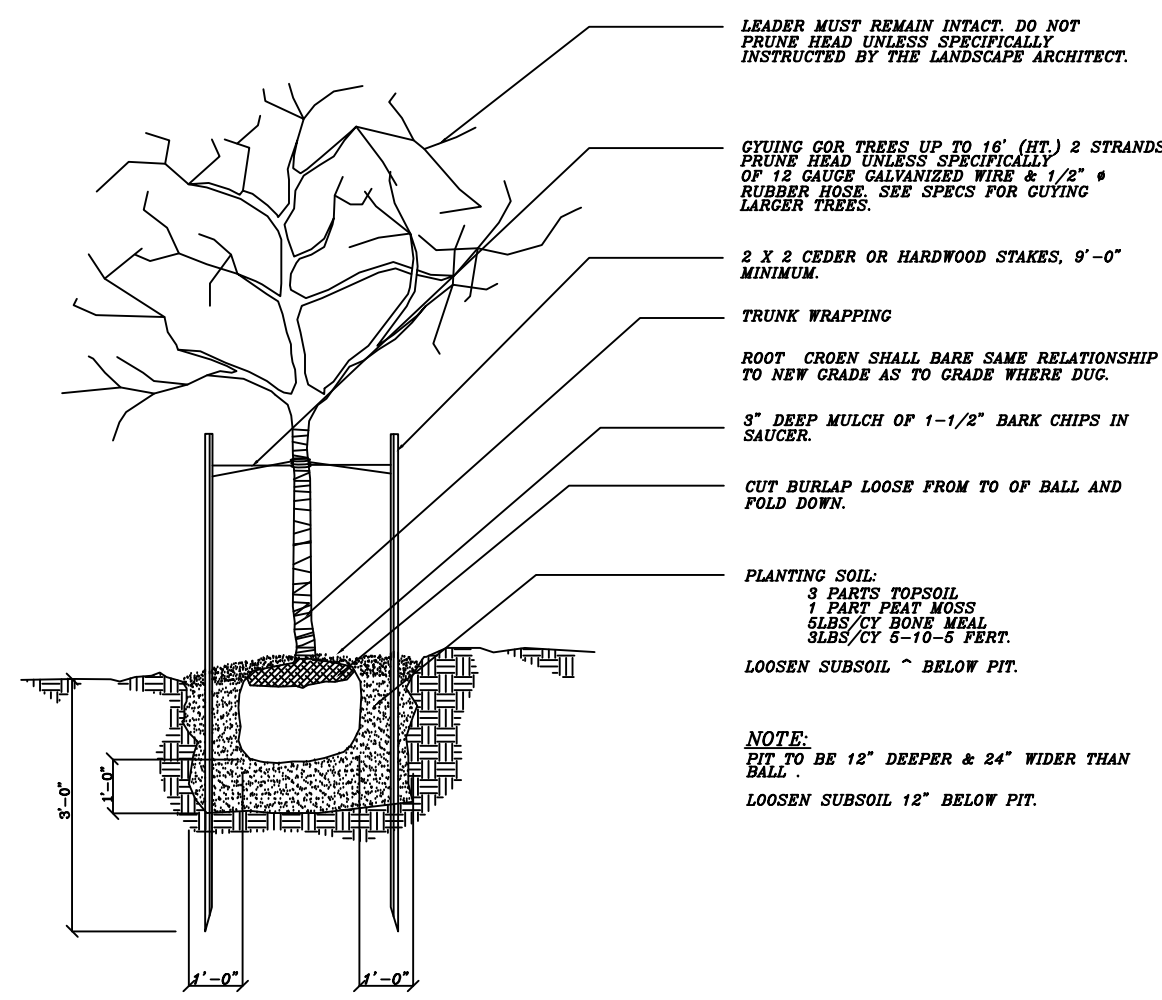


ISOMETRIC
Not to Scale

TYPICAL TRASH ENCLOSURE

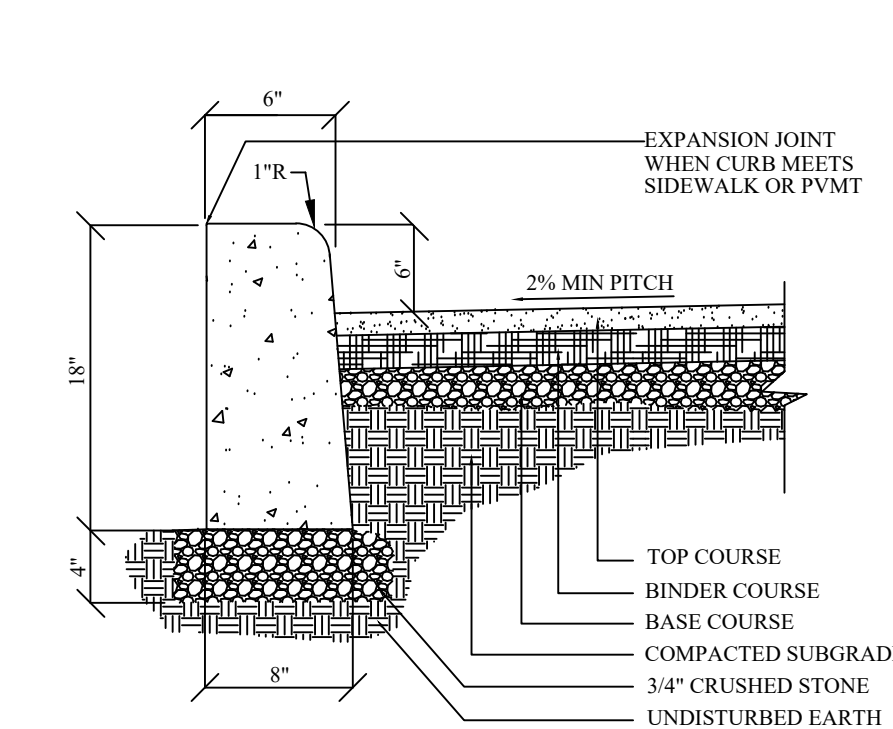
SCALE: N.T.S.

- NOTES:**
1. THE FACE OF THE ENCLOSURE SHALL BE FINISHED WITH MATERIAL SIMILAR TO THAT USED ON THE MAIN BUILDING.
 2. THE BUILDING INSPECTOR SHALL APPROVE THE CONSTRUCTION METHODS AND CODE COMPLIANCE OF ALL STRUCTURES ERECTED IN THE TOWN OF WAPPINGER.
 3. A MECHANISM FOR LOCKING THE GATES IN THE OPEN POSITION AND CLOSED POSITION SHALL BE PROVIDED.



TYPICAL TREE PLANTING DETAIL

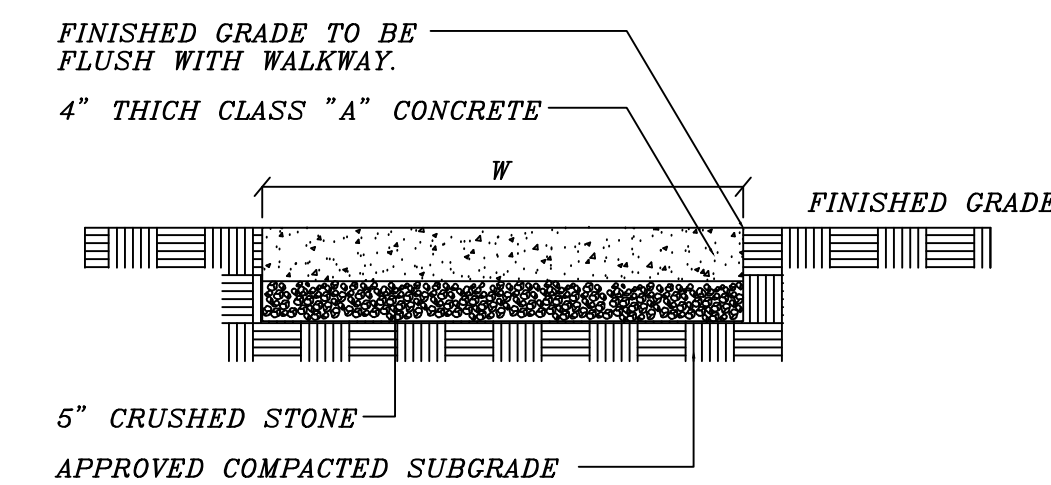
SCALE: N.T.S.



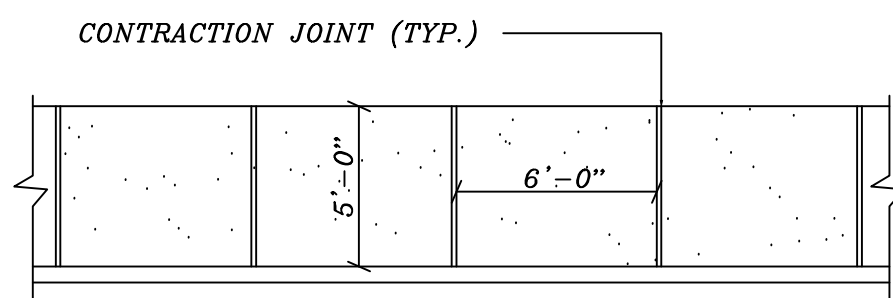
NOTE:
 PROVIDE 1/2" EXPANSION JOINT IN CONC CURB EVERY TEN FEET. CONSTRUCT CURB WITH CLASS A CONCRETE (3000 PSI)

CONC CURB DETAIL

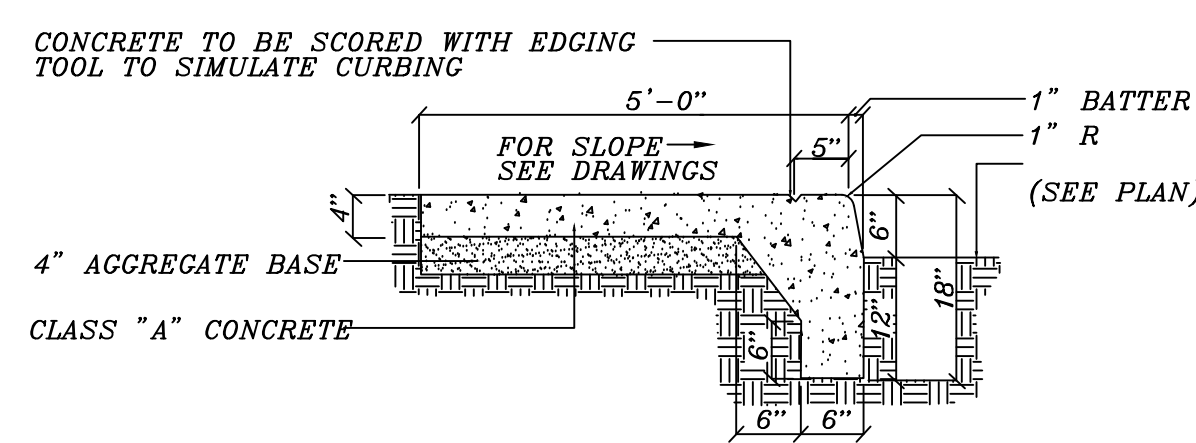
SCALE: N.T.S.



SECTION WITHOUT CURB



PLAN

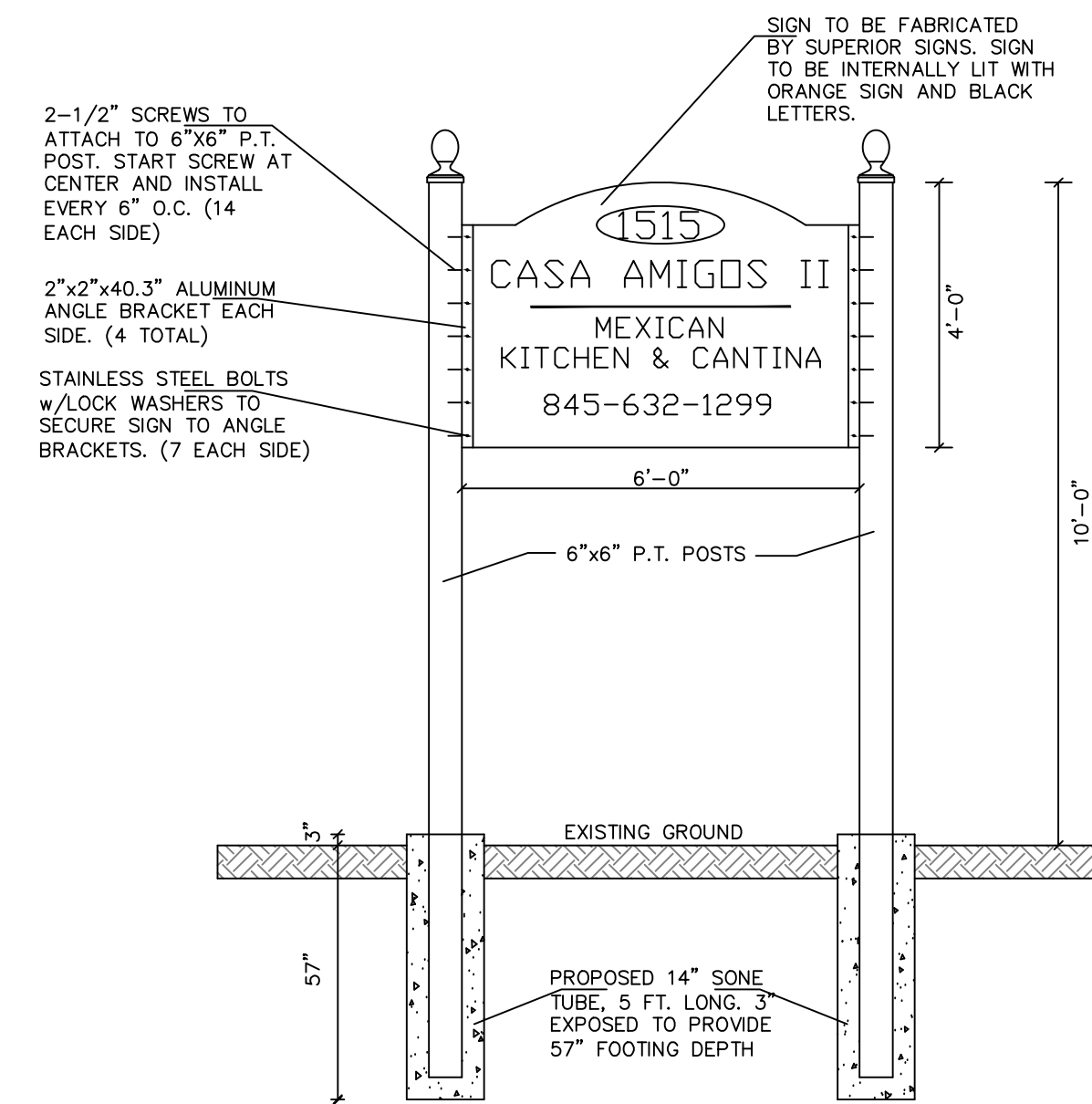


SECTION WITH CURB

- NOTES**
1. MINIMUM CROSS SLOPE 1/8" PER FT. UNLESS OTHERWISE INDICATED ON DRAWINGS
 2. PROVIDE 1/4" PREMOLED EXPANSION JOINTS AT 6' INTERVALS.
 3. AT THE JUNCTURE OF DRIVEWAYS AND SIDEWALKS, ONE-HALF (1/2") INCH, PREMOLED BITUMINOUS JOINTS SHALL BE INSTALLED

CONCRETE CURB & SIDEWALK DETAIL

SCALE: N.T.S.



PROPOSED SIGN DETAIL
 for CASA AMIGOS II
 (REAR SIGN - OLD RTE. 9)

General Notes

UNAUTHORIZED ALTERATIONS OR ADDITIONS TO THIS DRAWING IS A VIOLATION OF SECTION 7209(2) OF NYS EDUCATION LAW.

No.	Revision/Issue	Date
2	TOWN ENGINEER COMMENTS	9/12/25
1	TOWN PLANNER COMMENTS	8/15/25

JEFFREY A. ECONOM, P.E.
 CONSULTING ENGINEER
 48 LOGANBERRY COURT
 HOPEWELL JUNCTION, N.Y. 12533
 PHONE: (845) 554-8442
 EMAIL: jaeconom@optonline.net

SITE DETAILS
 for
 CASA AMIGOS 2 RESTAURANT
 1515 NYS ROUTE 9
 WAPPINGER, NY 12590
 TOWN OF WAPPINGER, DUTCHESS COUNTY

Project	Date	Sheet
c:\jobs\25-11\CASA AMIGOS 2 SITE PLAN.dwg	06/12/25	SD
Scale	AS NOTED	